

编译原理 · Quiz 1

1. Given a legal string of tokens for a CFG, there must be a unique parsing tree to derivate the string.

判断题 (4.0 分) (难度:中)

A. True

B. False

正确答案: B

答案解析: 暂无

2. Left-recursive CFG cannot be LL(1).

判断题 (4.0 分) (难度:中)

A. True

B. False

正确答案: A

答案解析: 暂无

3. The language $L = \{ a^n b^n \mid n > 1 \}$ can't be generated by any CFG.

判断题 (4.0 分) (难度:中)

A. True

B. False

正确答案: B

答案解析: 暂无

4. There is only one parse tree for a string of an unambiguous grammar.

判断题 (4.0 分) (难度:中)

A. True

B. False

正确答案: A

答案解析: 暂无

5. Both DFA and NFA can recognize regular set.

判断题 (4.0 分) (难度:中)

A. True

B. False

正确答案: A

答案解析: 暂无

6. Which of the following string can be defined by the regular expression $(a|b)^*ab^*c(a|b|c)^*$

单选题 (5.0 分) (难度:中)

A. ccbbaa

B. ccaabb

C. ccbbaa

D. aabbcc

正确答案: D

答案解析: 暂无

7. Which action is not in a LL(1) parsing table?

单选题 (5.0 分) (难度:中)

- A. Match
- B. Generate
- C. Accept
- D. Reduce

正确答案: D

答案解析: 暂无

8. The output of the parser is_____.

单选题 (5.0 分) (难度:中)

- A. token
- B. syntax tree
- C. target code
- D. intermediate code

正确答案: B

答案解析: 暂无

9. _____reflects the derivation steps of a string.

单选题 (5.0 分) (难度:中)

- A. Syntax tree
- B. Parse tree
- C. Binary tree
- D. Quadtree

正确答案: B

答案解析: 暂无

10. _____is commonly used to make operations left associative.

单选题 (5.0 分) (难度:中)

- A. Right recursion
- B. Indirect recursion
- C. Left recursion
- D. Left factoring

正确答案: C

答案解析: 暂无

11. (1) Convert the regular expression $(a|b)^*ab$ into an NFA using the rules in section 2.4; (15 cents)

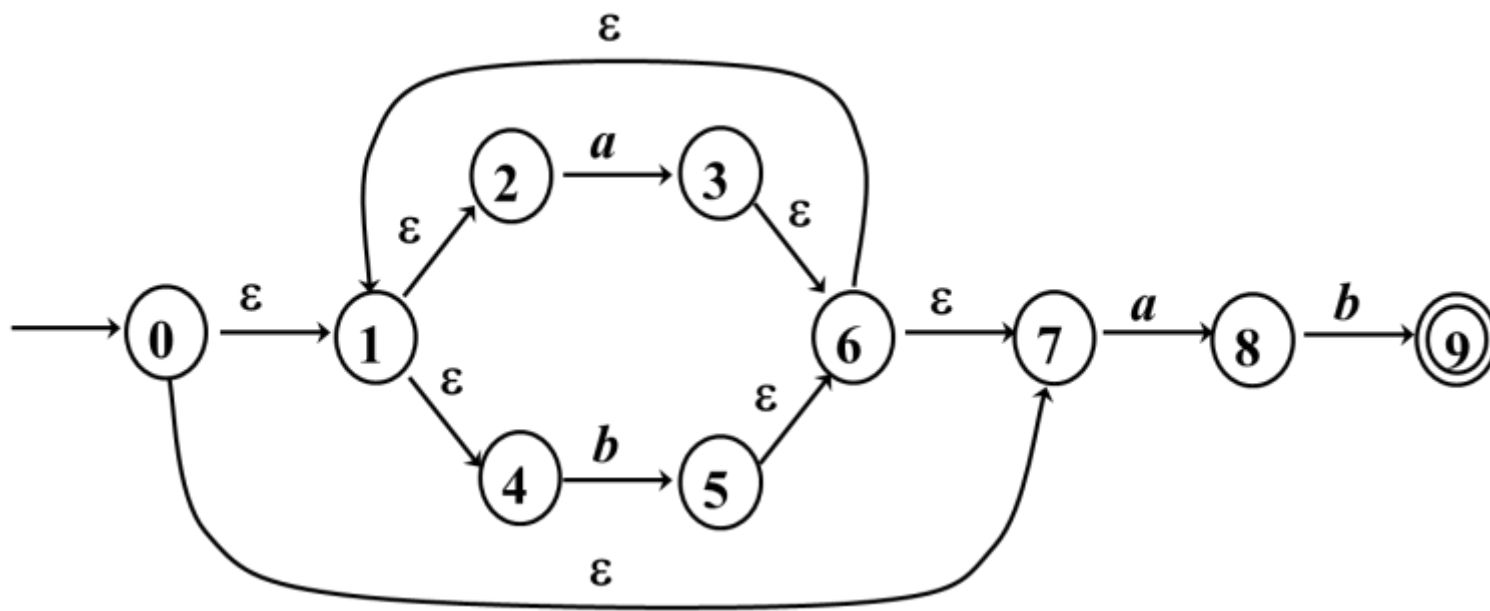
(2)Then, convert the above NFA into a DFA using the subset construction. (15 cents)

(3) Minimize the DFA. (5 cents)

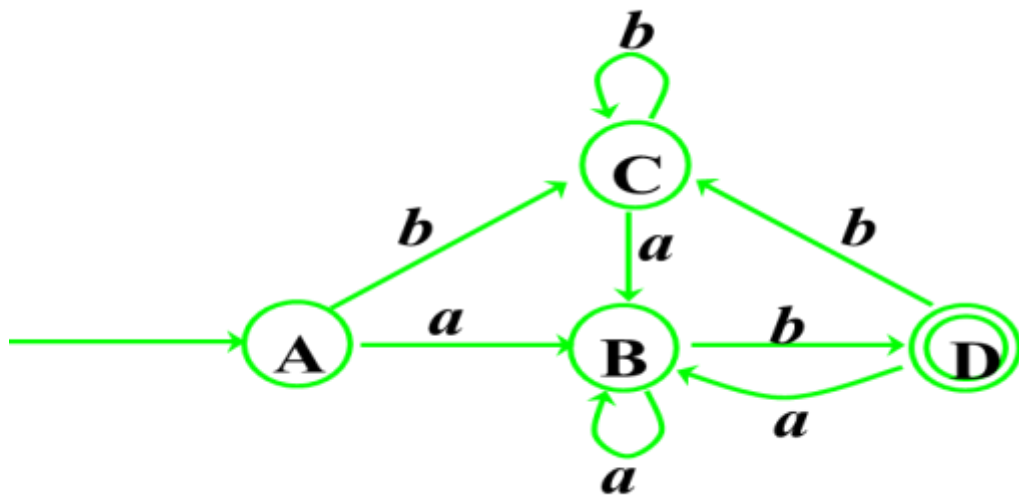
简答题 (35.0 分) (难度:中)

答案解析:

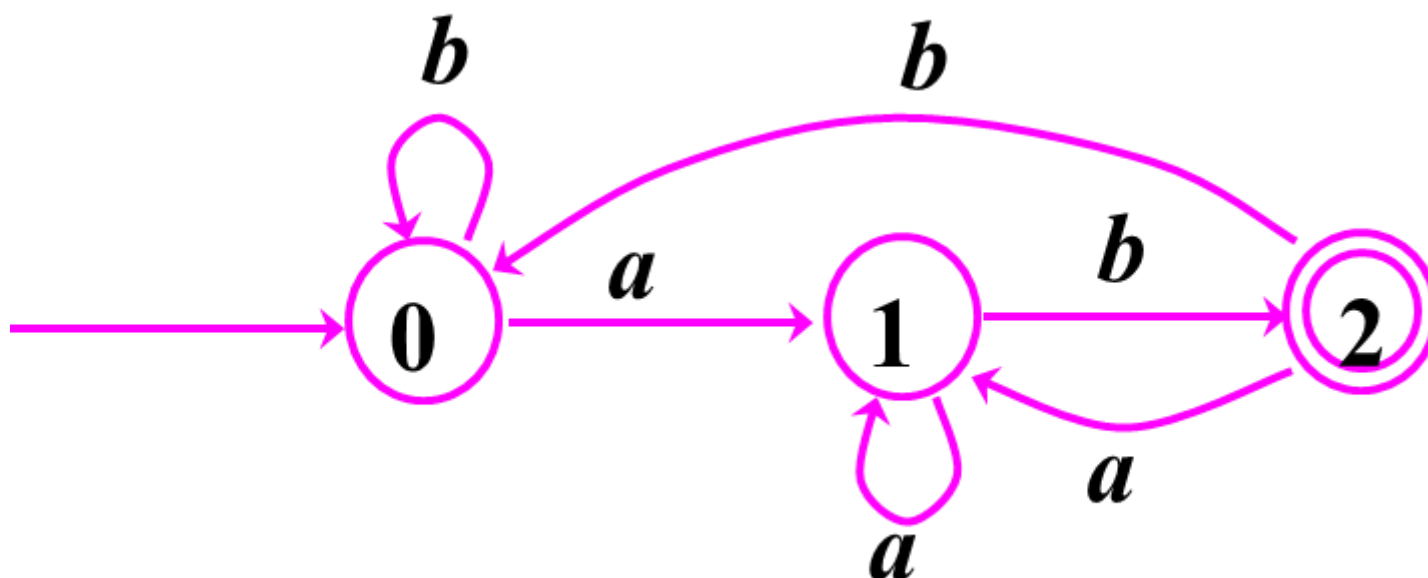
(1) (根据Thompson构造法, 应该在7,8,9后面加上 ϵ)



(2)



(3)



12. (1) Can the following string set be described by a regular expression? (5 Points)

$$L(G) = \{ a^{2n+1}ba^{2n+1} \mid n=0,1,2, \dots \}$$

(2) Does there exist any CFG generating the above string set? If yes, write it down. (15 Points)

简答题 (20.0 分) (难易度:中)

答案解析:

(1) No.

(2) Yes. The Following CFG can generate the string set.

$A \rightarrow aaAbb \mid ab$

